

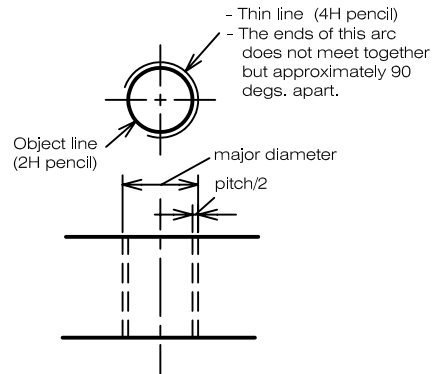
Draw front and right-side views of the following object with a completed dimensions. Draw in scale 1:1 on A4 sheet.

(Problem is taken from "Graphics for Engineers" by Earle)

What can we learn from the drawing ?

- The dimension note M10x1.5 means that the hole is a threaded hole. The letter "M" means that the threads are made by following a metric thread system. The number "10" is the major diameter of the hole and the number 1.5 is the pitch of a thread. However, for coarse threads, it is a common practice to omit specifying the pitches. For example, a note M10 means the pitches of the thread is 1.5 mm. In this book, the pitch is specified in order to facilitate drafting.

- Drawing symbol of a threaded hole is shown below.



- The circular projection surface at a threaded hole that is raised from a cylinder is called "Boss". Usually, the top surface of a boss is a finished surface to make a smooth seat for fastener. The following figure shows a side view of a boss with a drilled hole.

